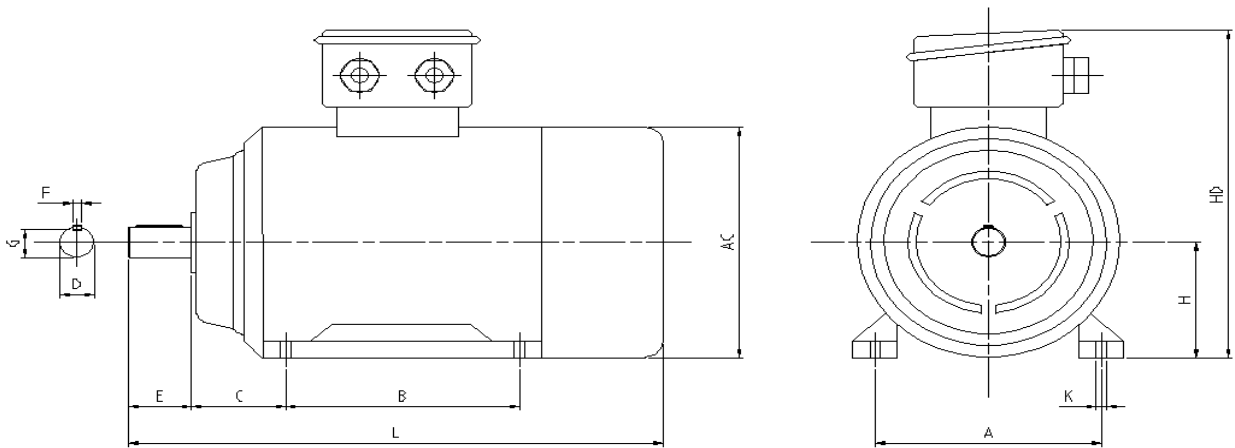


AC 3-Phase Electrical Squirrel Cage Motors -- MSHE SERIES

| | | | | | |
|--|-----------------|--|-------------|--|-----------------------|
| FORNITORE FOURNISSEUR SUPPLIER | EMC-CONTI | GRANDEZZA & TIPO TAILLE & TYPE SIZE & TYPE | MSHE 100LB4 | EFFICIENZA EFFICENCY EFFICACITÉ | IE 2 |
| POTENZA NOMINALE PUISSANCE NOMINALE NOMINAL POWER | 3,00 kW | POTENZA NOMINALE PUISSANCE NOMINALE NOMINAL POWER | 4 Hp | VELOCITA' VITESSE SPEED | 1.431 Rpm |
| TENSIONE TENSION RATED VOLTAGE | 230 400 V | FREQUENZA FREQUENCE FREQUENCY | 50 Hz | CARCASSE BODY CARCASSE | ALLUMINIO |
| CORRENTE NOMINALE COURANT NOMINAL RATED CURRENT | 11,29 6,49 A | COPPIA NOMINALE COUPLE NOMINAL RATED TORQUE | 20,02 Nm | PESO POIDS WEIGHT | 30,6 kG |
| SOVRATEMPERATURA ECHAUFFEMENT TEMPERAURE RISE | B | CLASSE ISOLAMENTO CLASSE ISOLATION INSULATION CLASS | F | TEMP. AMBIENTE TEMP. AMBIANCE AMBIENT TEMP. | 40 °C |
| Ma / Mn Md / Mn Ms / Mn | 2,6 | Mmax / Mn Mmax / Mn Mmax / Mn | 3,3 | la / ln ld / ln ls / ln | 7 |
| FATTORE DI POTENZA FACTEUR de PUISSANCE POWER FACTOR | 0,78 | RENDIMENTO RENDEMENT EFFICIENCY | 85,5 % | SERVIZIO SERVICE SERVICE | S 1 |
| FORMA COSTRUTTIVA FORME MOUNTING POSITION | B 3 | PROTEZIONE IP PROTECTION IP ENCLOSURE IP | 55 | TROPICALIZZATO TROPICAL TROPICALISE' | NO |
| CAPPELLO PARAPIOGGIA DARIN COVER PARA - PLUIE | NO | SCARICO CONDENSA DRAIN HOLE TROU DE POURGE | NO | VERNICIATURA PAINTING PEINTURE | Ral 5010 Blue |
| TIPO CUSCINETTO TYPE de ROULEMENT BEARINGS TYPE | → | Lato Comando Cote Accouplement Drive End Side | 6206-2RS C3 | Lato Opposto Cote Opposée Non Drive End Side | 6206-2RS C3 |
| LUBRIFICAZ. GRASSO LUBRIFICATION GRAISSE LUBRIFICATION GREASE | -- | ORE HEURES HOURS | -- | RESIST.ANTICONDENSA RESIST.de RECHAUFFAGE SPACE HEATERS | -- V -- W |
| PROTEZIONE TERMICA PROTECTION THERMIQUE THERMAL PROTECTION | --- | CUSCINETTO ISOLATO INSOLATED BEARING ROULEMENT ISOLEE | NO | VENTILAZIONE ASSISTITA VENTILATION FORCEE' FORCES VENTIALTION | -- kW -- V -- A |
| SENSO DI ROTAZIONE DIRECTION OF ROTATION SENSE DE ROTATION | CW / CCW | ENCODER ENCODER CODEUR | NO | NORME NORMES STANDARD | IEC & CE |



| MOTOR DIMENSION - FRAME SIZE H | | | | | | | | 100 |
|--------------------------------|----|----|----|----|-----|-----|-----|-----|
| D | E | F | G | C | A | B | AC | L |
| 28 | 60 | 8 | 31 | 63 | 160 | 140 | 215 | 380 |
| N | P | M | LA | T | S | K | AD | HD |
| -- | -- | -- | -- | -- | -- | 12 | -- | 222 |

NOTE

| | |
|----|----|
| 1) | -- |
| 2) | -- |
| 3) | -- |

EMC-CONTI reserves the right to change the data in order to improve its product without prior notice. Version updated August 2015